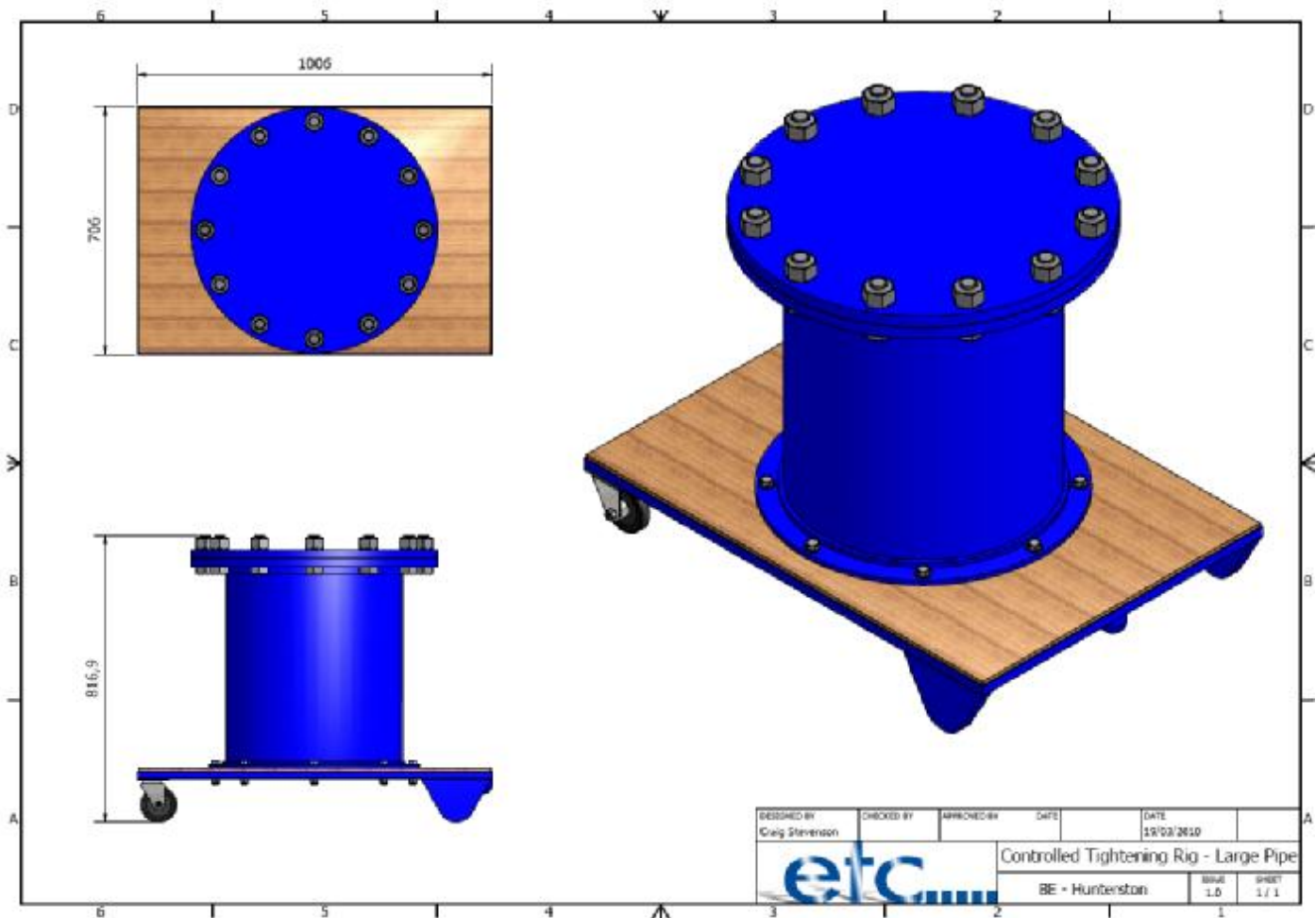




Controlled Tightening Rig – Large Pipe

Designed in partnership with British Energy



This rig assists in the training of staff in the correct fitting and torquing of bolts to flanges.
The bolt tightening rig is mounted a mobile trolley

- Heavy duty construction
- Bolt type and size can be specified by end user
- High quality paint finish