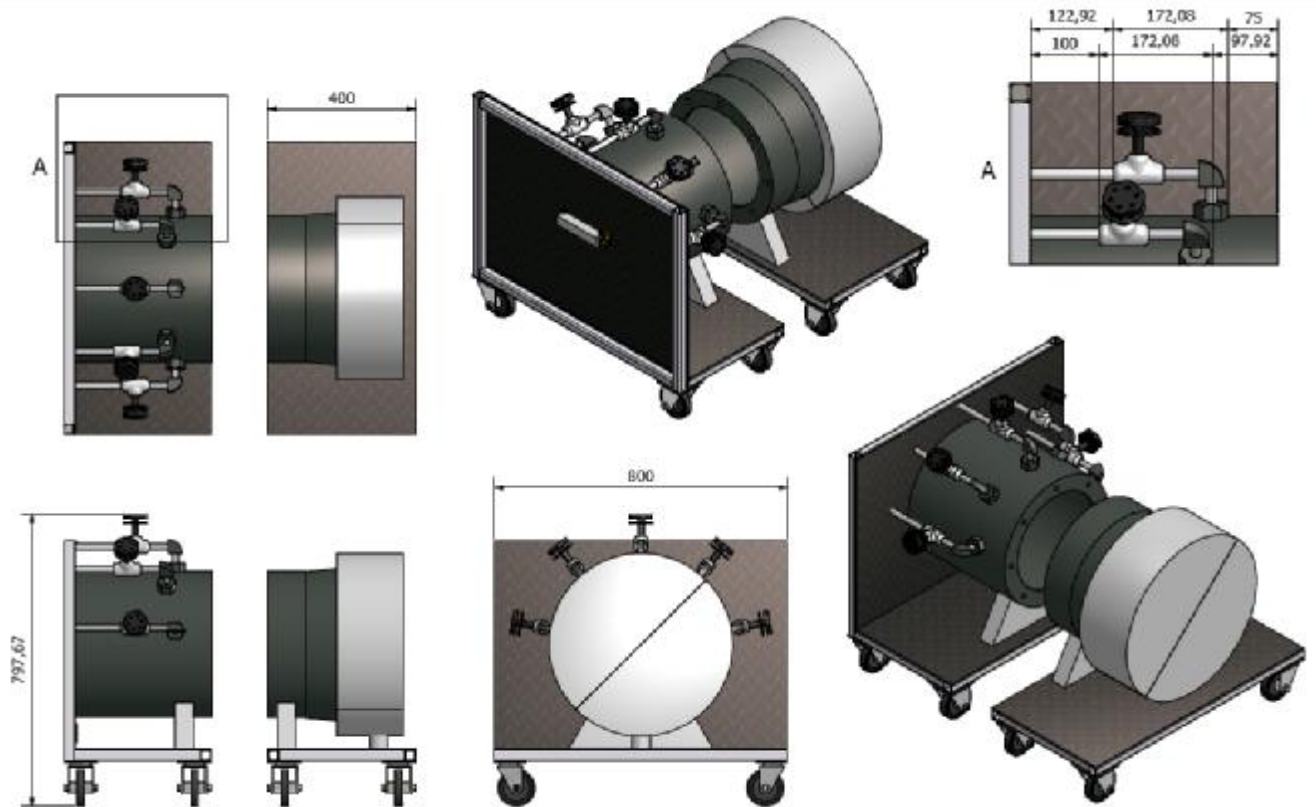


SERT - Penetration / Crimping Rig

Designed in partnership with British Energy



This equipment is designed to simulate a problem with crimped valves.

It allows the Emergency Response Team (IRT/SERT) to practice repairs techniques on equipment which is off line but looks similar to the real thing. The rig is fitted with a system to allow low pressure testing of the valves after crimping.

The rig is manufactured in two sections and bolts together to minimise manual handling risks when moving the rig within the plant.

The rig is painted in colours to match the actual plant onsite to provide the realism required.