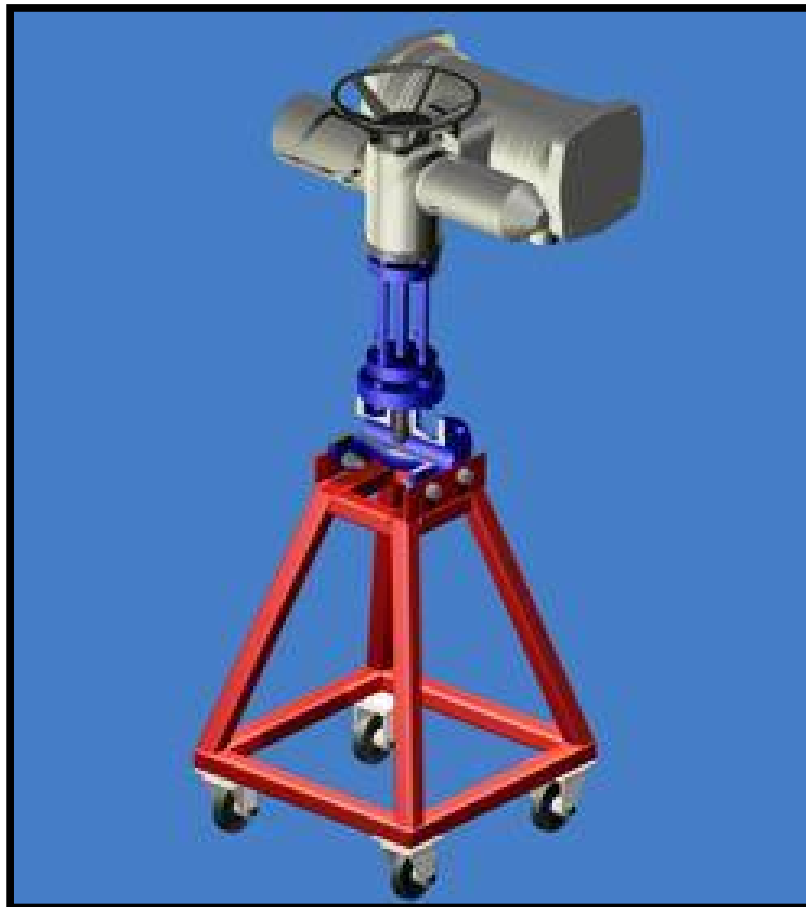


TRAINING RIG DIVISION

Actuator Rig

Designed in partnership with EDF Energy



To assist in the training of apprentices and technicians in setting up Hopkinsons and Rotork Actuators

- ~ Free Issue Hopkinson's or Rotork Actuator
- ~ Free Issue suitable Valve and Adaptor Kit
- ~ Mounted on Box Section Mobile Frame
- ~ Valves will be sectioned and contrast painted
- ~ The Rig will have 2 fixed, 2 Swivel lockable castors
- ~ Shot blasted and powder coated finish